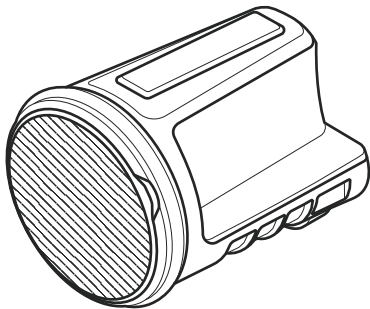


*INSTRUCTIONS*



# **ROLLING KNIFE SHARPENER**

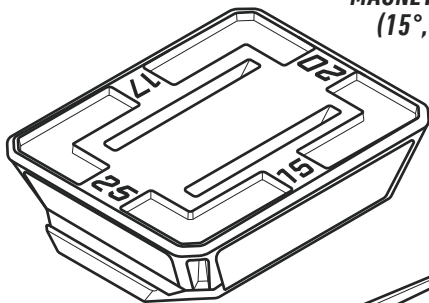
WSKTNRKS



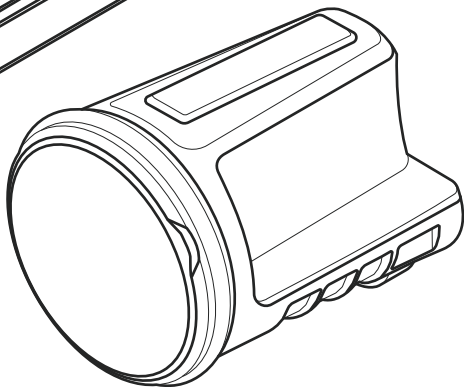
**WATCH  
DEMO**



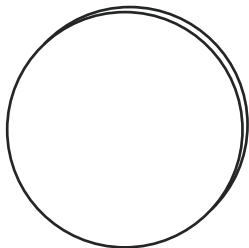
**MAGNETIC ANGLE BLOCK:  
(15°, 17°, 20°, 25°)**



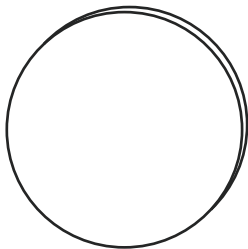
**ROLLING KNIFE  
SHARPENER**



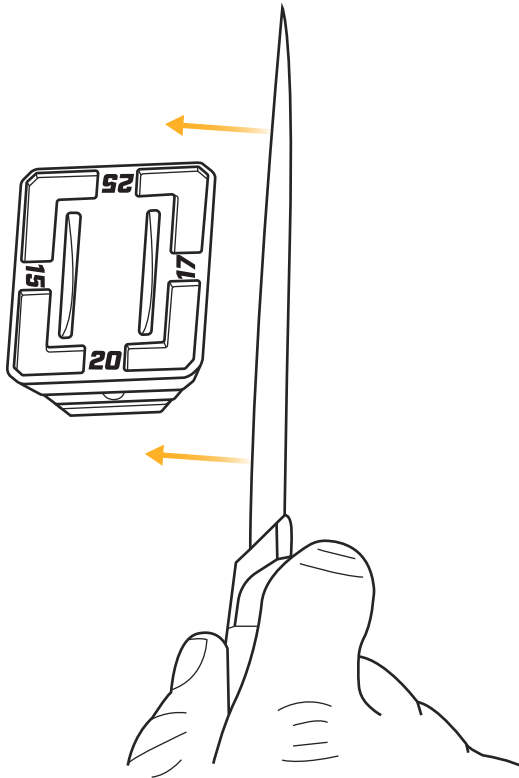
**1. COARSE  
DIAMOND**



**2. FINE DIAMOND**



**3. CERAMIC HONE**



**15°  
Eastern**



**17°  
Western**

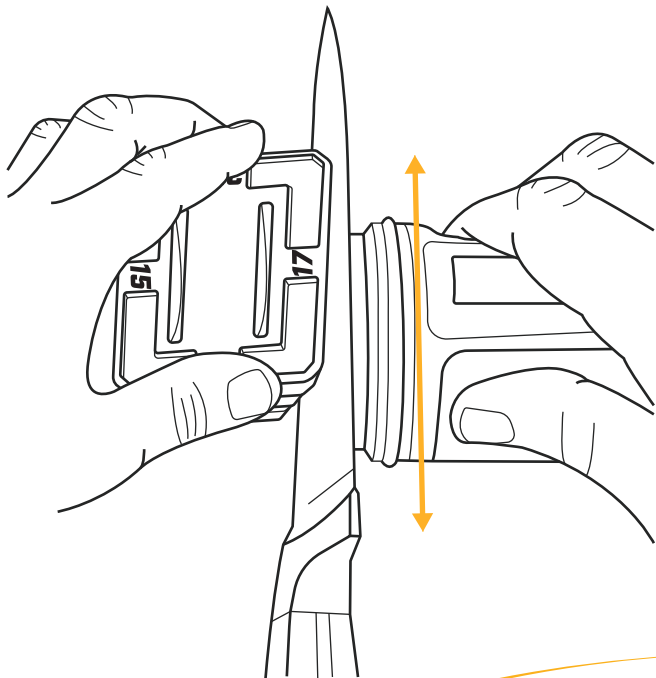


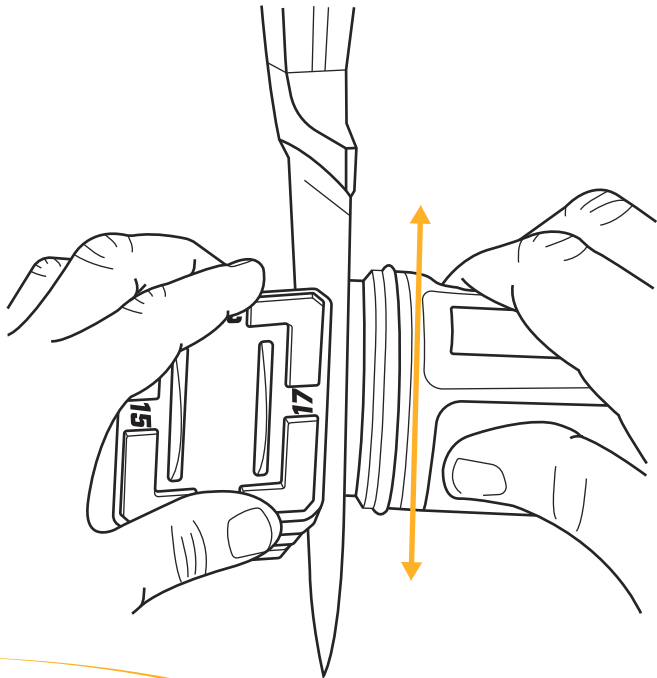
**20°  
Pocket/Folder**



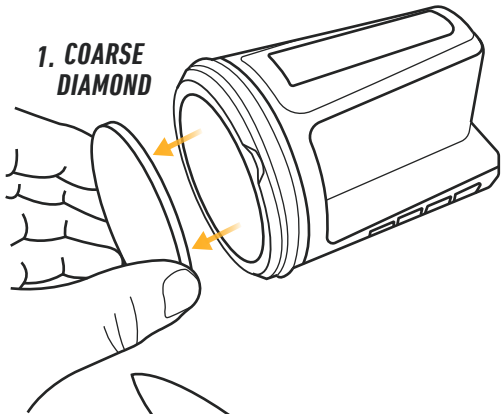
**25°  
Outdoor**







**1. COARSE  
DIAMOND**



**2. FINE DIAMOND**

**3. CERAMIC HONE**

## SAFETY

**CAUTION!** To reduce the risk of injury, the user must read and understand this instruction manual before using product. Save these instructions for future reference.

**⚠** You will be creating incredibly sharp knives with this sharpener. Please handle them with care. Use caution to avoid cutting yourself.

**WARNING! CHOKING HAZARD!** Small parts – Not for children under 3-yrs.

**WARNING!** To minimize the risk of injury, always use proper eye and respiratory protection.

**⚠ WARNING!** Ensure you keep your hand and fingers away from the knife's edge and placed securely on the Knife Sharpener and Magnetic Knife Block or severe injury or death may occur.

**⚠ WARNING!** Sharpening can be a dangerous task. Be aware of and in full control of your knife at all times or severe injury or death may occur.

**⚠ WARNING!** Never leave the knife attached to the Magnetic Knife Block when you are not actively using it. Failure to follow this warning could result in severe injury or death.

**⚠ WARNING!** Do not use excessive pressure when sharpening. Use light pressure or you risk severe injury or death.

**⚠ WARNING!** The Knife Block contains strong magnets. Magnets can interfere with or damage things like credit/bank cards, pacemakers, computers, mobile phones, and/or other electronic devices.

**Safety Tip:** Ensure the knife edge is safely and securely positioned to the Knife Block. Be aware of the cutting edge at all times when sharpening

## WARRANTY

### 3 YEAR WARRANTY

This sharpener is covered by Work Sharp's 3-year warranty. We stand behind and support our products – contact us if you need assistance, parts, or service.

Warranty for consumer not industrial or commercial use, excludes abrasives. Register your warranty online at [WorkSharpTools.com](http://WorkSharpTools.com).



\*Excludes  
Abrasives

#### WORK SHARP

PO Box 730

210 E. Hersey St.

Ashland, OR 97520 USA

### QUESTIONS?

[WorkSharpTools.com](http://WorkSharpTools.com) / 1.800.418.1439

**PLEASE LEAVE A REVIEW WHERE YOU PURCHASED YOUR PRODUCT**



PP0005647 REV 1 08/23