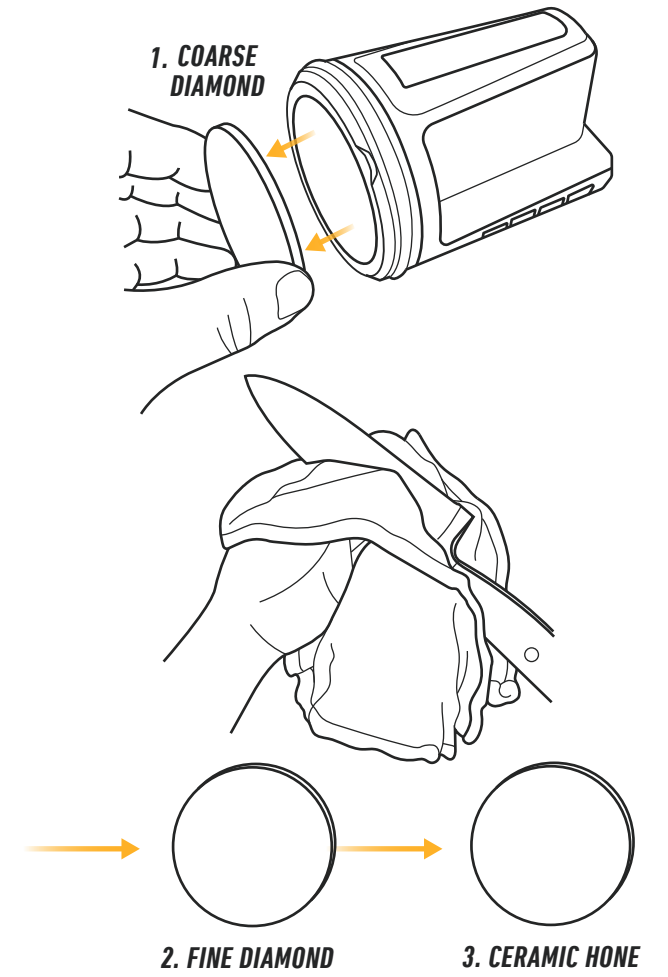
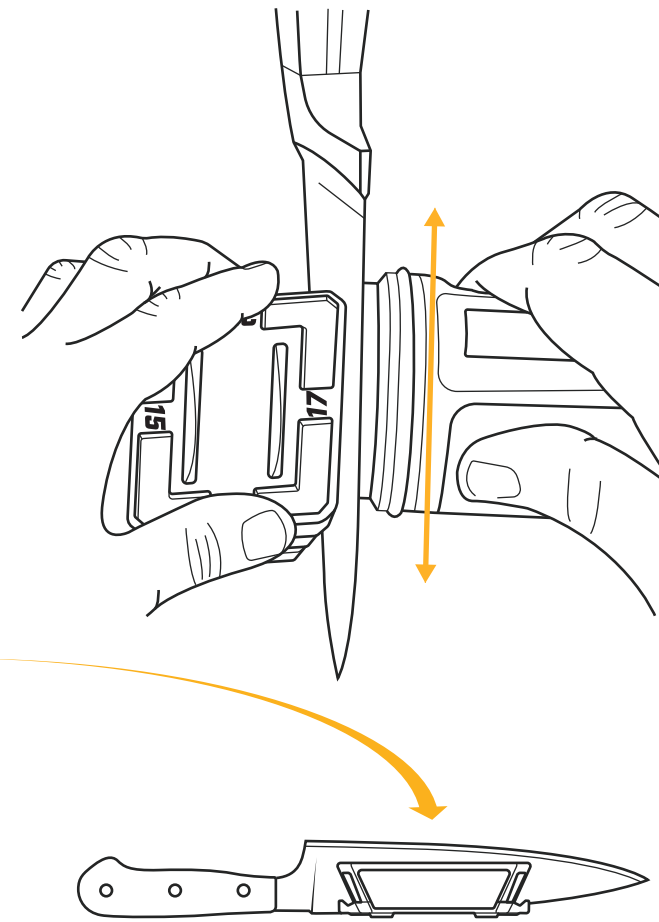
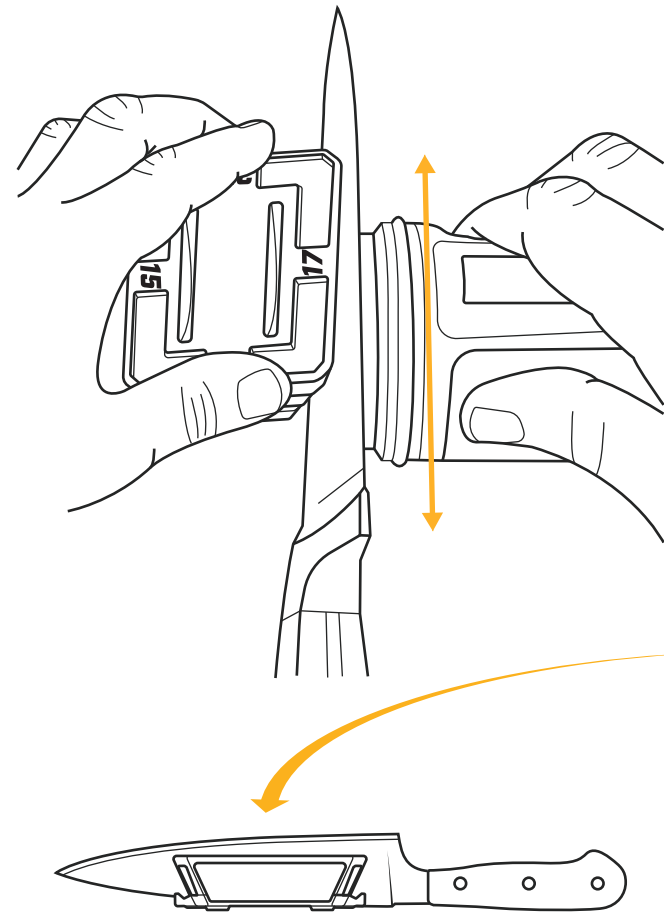
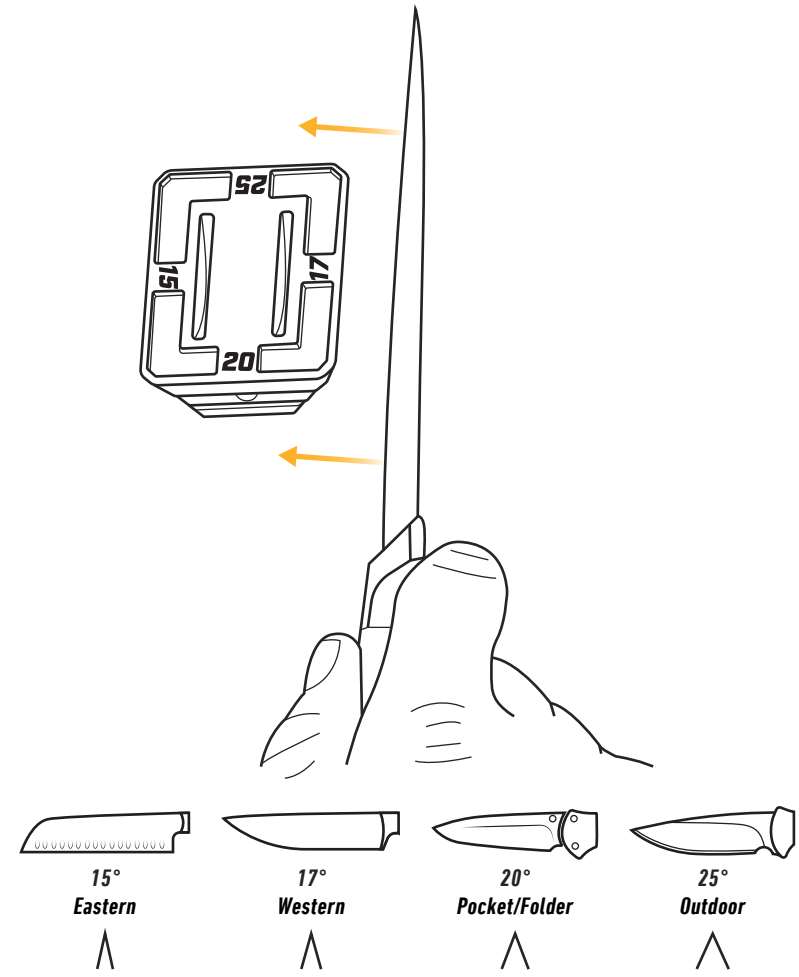
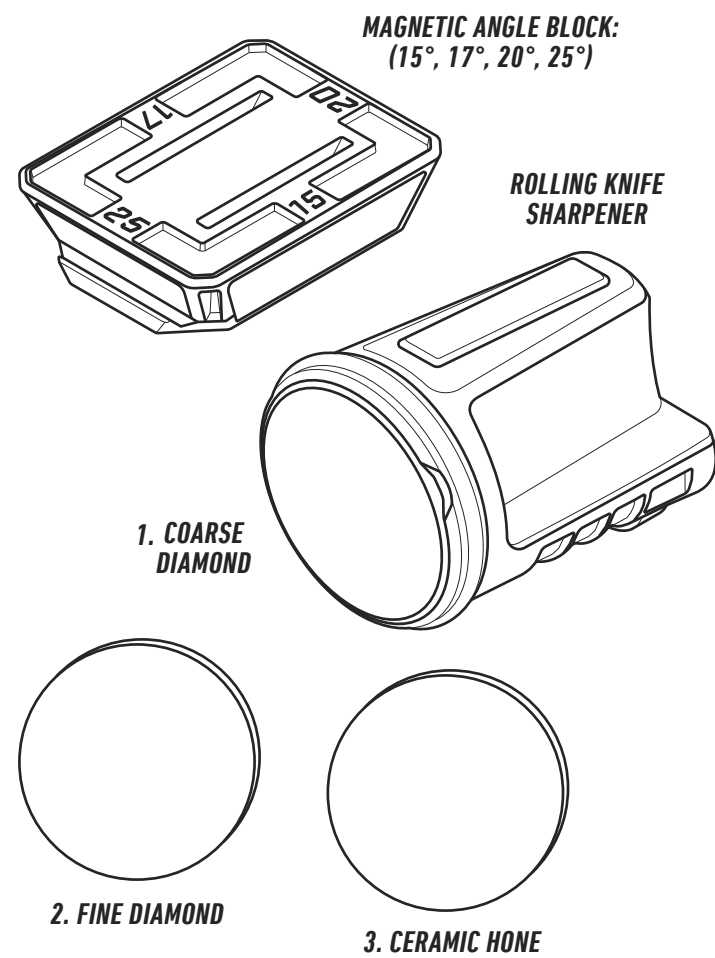


135mm



110mm

440mm



SAFETY

CAUTION! To reduce the risk of injury, the user must read and understand this instruction manual before using product. Save these instructions for future reference.

⚠ **You will be creating incredibly sharp knives with this sharpener. Please handle them with care. Use caution to avoid cutting yourself.**

WARNING! CHOKING HAZARD! Small parts – Not for children under 3-yrs.

WARNING! To minimize the risk of injury, always use proper eye and respiratory protection.

⚠ **WARNING!** Ensure you keep your hand and fingers away from the knife's edge and placed securely on the Knife Sharpener and Magnetic Knife Block or severe injury or death may occur.

⚠ **WARNING!** Sharpening can be a dangerous task. Be aware of and in full control of your knife at all times or severe injury or death may occur.

⚠ **WARNING!** Never leave the knife attached to the Magnetic Knife Block when you are not actively using it. Failure to follow this warning could result in severe injury or death.

⚠ **WARNING!** Do not use excessive pressure when sharpening. Use light pressure or you risk severe injury or death.

⚠ **WARNING!** The Knife Block contains strong magnets. Magnets can interfere with or damage things like credit/bank cards, pacemakers, computers, mobile phones, and/or other electronic devices.

Safety Tip: Ensure the knife edge is safely and securely positioned to the Knife Block. Be aware of the cutting edge at all times when sharpening

WARRANTY

3 YEAR WARRANTY

This sharpener is covered by Work Sharp's 3-year warranty. We stand behind and support our products – contact us if you need assistance, parts, or service.

Warranty for consumer not industrial or commercial use, excludes abrasives. Register your warranty online at WorkSharpTools.com.



*Excludes
Abrasives

WORK SHARP
PO Box 730
210 E. Hersey St.
Ashland, OR 97520 USA

QUESTIONS?

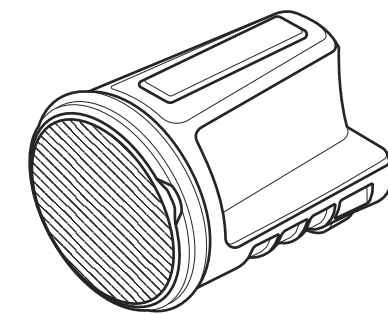
WorkSharpTools.com / 1.800.418.1439

PLEASE LEAVE A REVIEW WHERE YOU PURCHASED YOUR PRODUCT



PP0005647 REV 1 08/23

INSTRUCTIONS




ROLLING KNIFE SHARPENER

WSKTRKS



WATCH DEMO



NOTES:		SPOT COLOR:		WORK SHARP	
CUT: _____				210 E. HERSEY ST.	
CREASE/FOLD: - - - - -		PANTONE 7409C		ASHLAND, OR 97520	
BLEED LINE: _____				PHONE: (+1) 541-552-1301	
				FAX: 541-552-1377	
TITLE: RKS User Guide					
MATERIAL:	157 GSM Coated Art Paper	PART#:	PP0005647		
COATING:	Standard Coating	REV:	1		
FLUTE DIRECTION:	N/A	DATE:	08/10/2023		
FOLD INSTRUCTIONS: Double Parallel Fold					
REV NOTES: Updated drawing to include new lineart for 20° knives.					

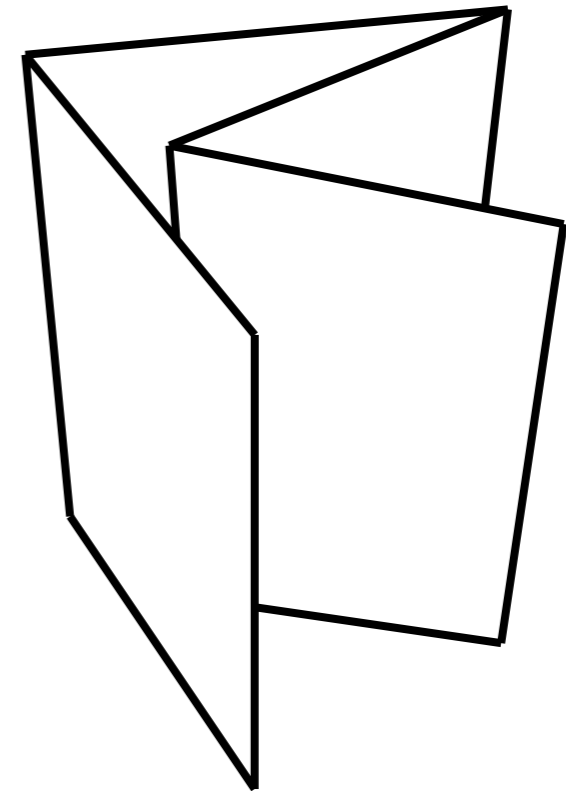
COLOR PALETTE:

CYAN

MAGENTA

YELLOW

BLACK



Double Parallel Fold



***Note:** The orientation of both the inside and outside panels should be the same.